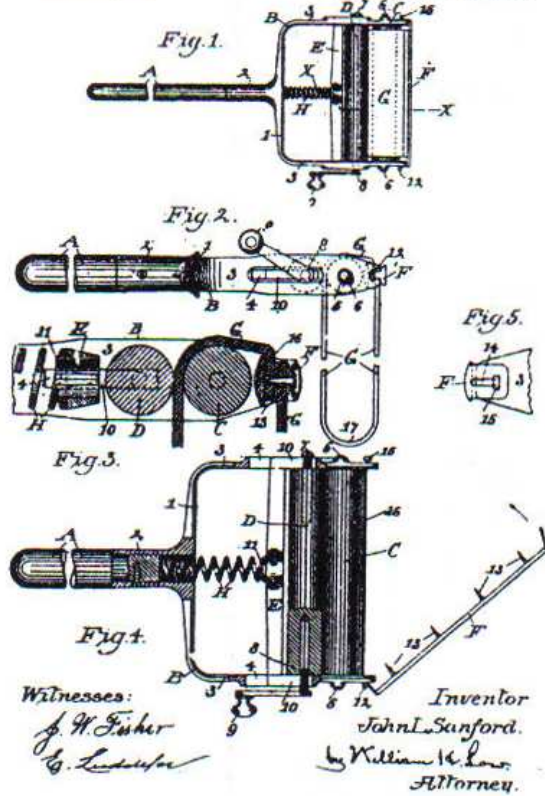
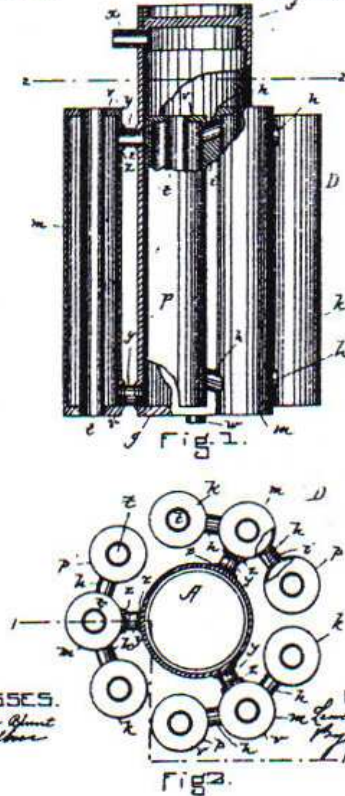


(No Model.)  
J. L. SANFORD.  
COMBINED MOP AND MOP WRINGER.  
No. 549,688. Patented Nov. 12, 1895.



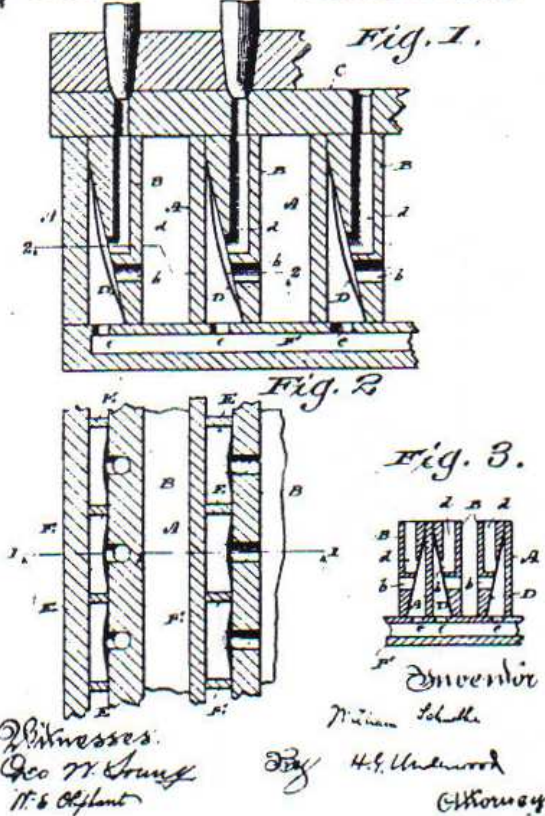
Witnesses:  
J. H. Fisher  
G. L. Lutz  
Inventor  
John L. Sanford.  
by William H. Lane  
Attorney.

(No Model.)  
L. SAUNDERS.  
BOILER.  
No. 549,680. Patented Nov. 12, 1895.



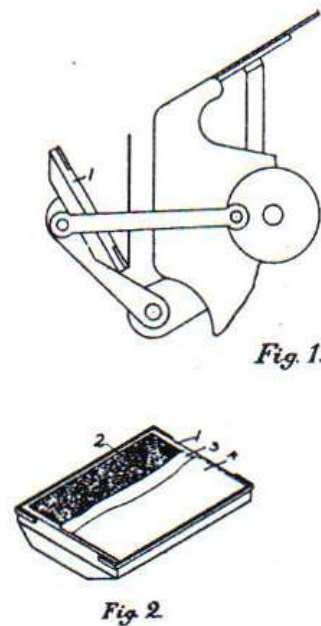
WITNESSES:  
Mather M. Hunt  
C. W. Wilson  
INVENTOR.  
L. Saunders  
by O. M. Stone  
ATT'Y.

(No Model.)  
W. SCHUELKE.  
ORGAN.  
No. 549,690. Patented Nov. 12, 1895.



Witnesses:  
Geo. W. Young  
H. S. Clifton  
Inventor  
William Schuelke  
by H. S. Underwood  
Attorney.

(No Model.)  
M. L. SEVERY.  
PLATES FOR PRINTING PRESSES OR THE LIKE.  
No. 549,691. Patented Nov. 12, 1895.



Witnesses:  
Frank H. Reynolds  
Edward H. Wood  
Inventor  
Melvin L. Severy  
by How & Kellogg  
Attorneys.

The drawing of Schuelke's patent 549,690 is visible on in the bottom left square. Courtesy of St. Mary's Church archives (source unknown)