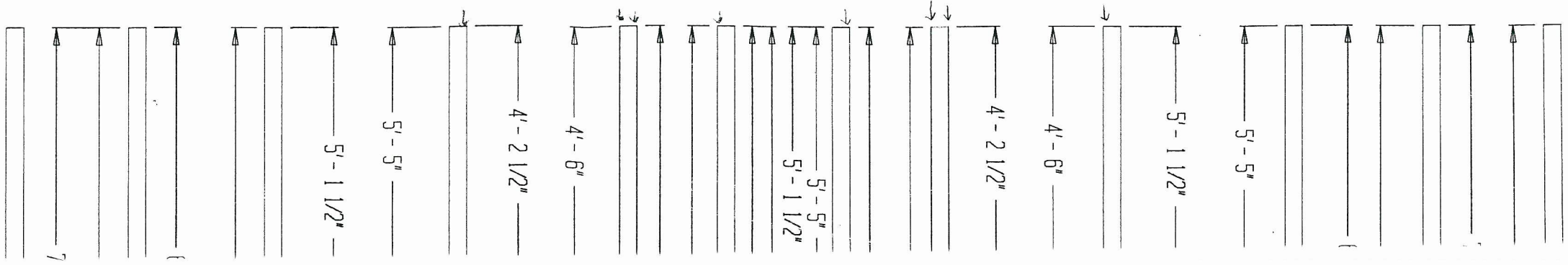


Scale 1/2" = 1'



Scale 1/2" = 1'

